



Lustra™
Commercial elongated toilet seat
K-4670-CA

Features

- Elongated, open-front toilet seat.
- Antimicrobial agent inhibits growth of odor-causing bacteria, mold, and mildew. This product does not protect users against bacteria, viruses, or other disease organisms. Always clean and wash this product thoroughly before and after each use.
- Check hinge.

Material

- Made of solid polypropylene and is resistant to staining, fading, chipping and peeling.



Codes/Standards

IAPMO/ANSI Z124.5


**KOHLER® One-Year Limited
Warranty**

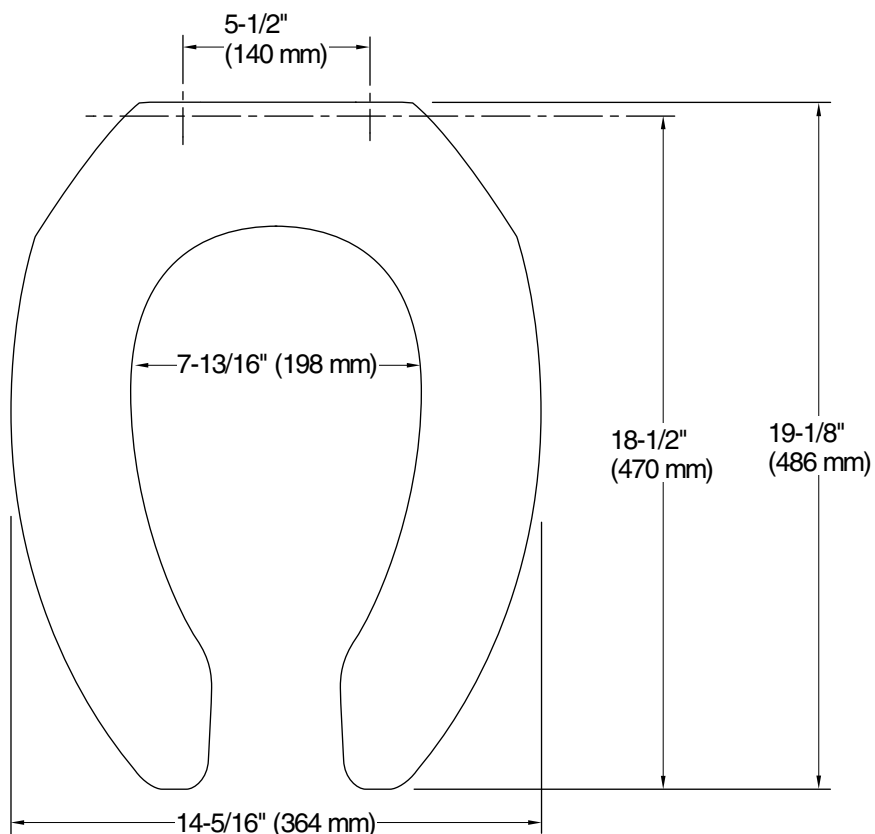
See website for detailed warranty information.

Available Colors/Finishes

Color tiles intended for reference only.

Color Code Description

	0	White
---	---	-------



Technical Information

All product dimensions are nominal.

Seat shape type: Elongated
Seat front type: Open-front
Seat hinge type: Check
Seat-mounting holes: 5-1/2" (140 mm)

Notes

Install this product according to the installation guide.